



ATLANTIC

Used Trucks & Salvage Corp.
Auto Recyclers

2 DOOR UNI-BODY

Date: _____

To: _____

From: _____

Contact Person: _____

Contact Person: _____

Phone #: _____

Fax #: _____

Year: _____

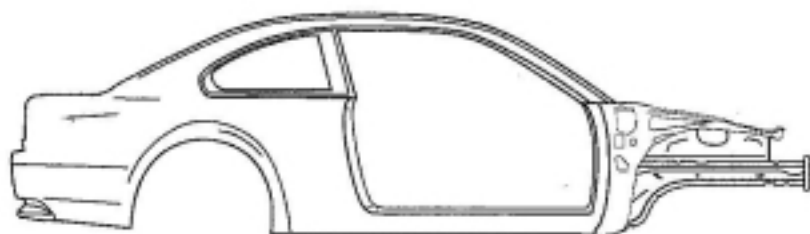
Make: _____

Model: _____

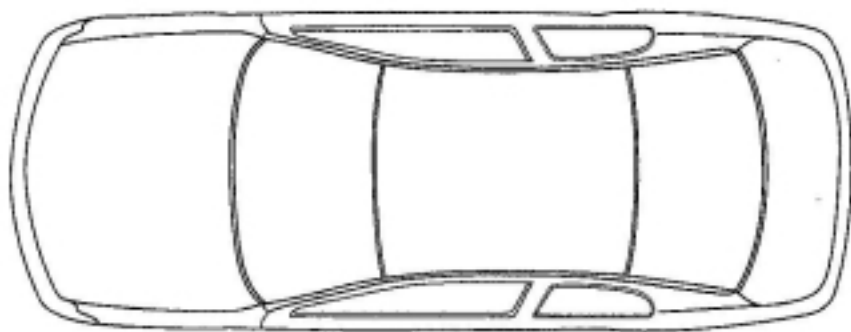
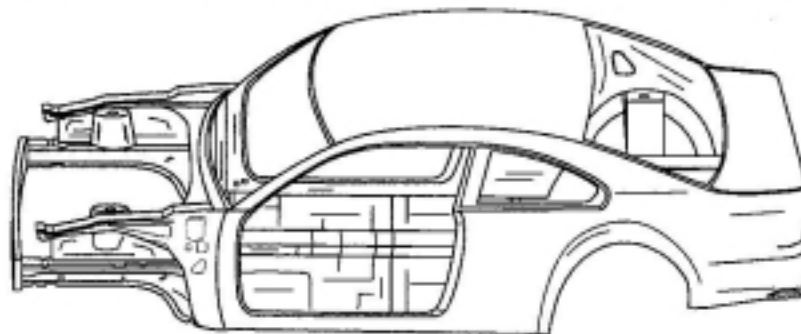
VIN #: _____

P.O. #: _____

Build Date: _____

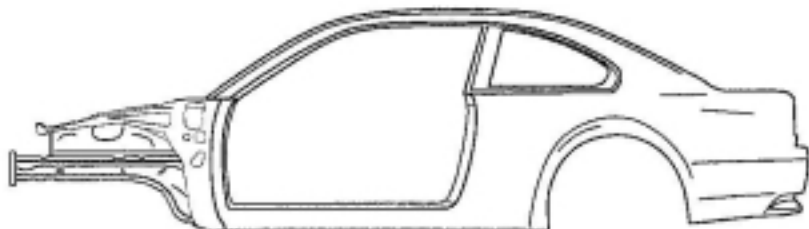


PASSANGER SIDE

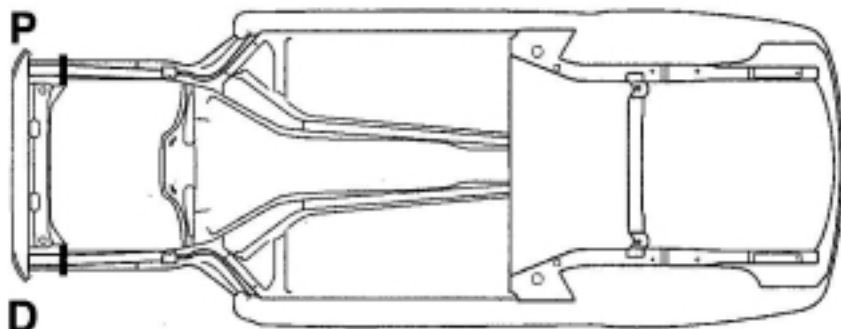


TOP VIEW

Please use the area below for a detail of cut instructions:



DRIVER SIDE



TOP VIEW

Notes: